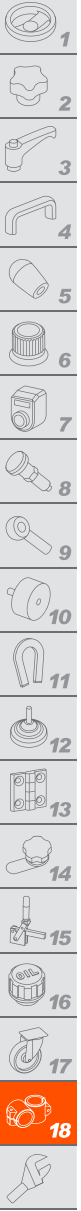


GN 192.5 T-shaped connecting clamps

Stainless steel



MATERIAL

Cast AISI CF-8 stainless steel, sandblasted matte finish.
 AISI 304 stainless steel screws and washers.
 AISI 304 zinc-plated steel nuts.

STANDARD EXECUTIONS

- **GN 192.5-A:** without sealing washers.
- **GN 192.5-B:** with acetal resin based (POM) technopolymer sealing washers and silicone closing ring.

FEATURES AND APPLICATIONS

GN 192.5 connecting clamps are shaped so as to provide an optimum clamping with tubes GN 990 (see page 1368).

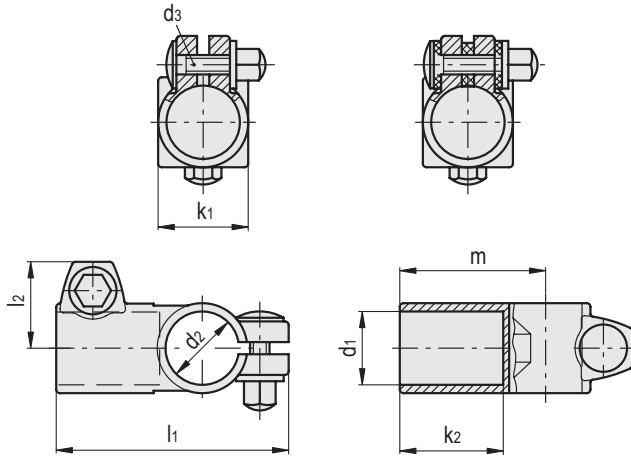
The particular shape of the screws and nuts prevents the formation of condensation.

In GN 192.5-B execution, the presence of technopolymer sealing washers and silicone ring allows the sealing of the holes and threads making them waterproof.



GN 192.5-A

GN 192.5-B



| Conversion Table | |
|-------------------|------|
| 1 mm = 0.039 inch | |
| d1 | |
| mm | inch |
| 30 | 1.18 |
| 50 | 1.97 |

GN 192.5-A

| Code | Description | d1 | d2 | d3 | k1 | k2 | l1 | l2 | m | ⚖ |
|----------|----------------------|----|----|-----|----|----|-------|------|-----|-----|
| GN.52791 | GN 192.5-B30-B30-A-4 | 30 | 30 | M8 | 37 | 42 | 96 | 35 | 60 | 320 |
| GN.52795 | GN 192.5-B50-B50-A-4 | 50 | 50 | M10 | 65 | 75 | 151.5 | 48.5 | 103 | 350 |



GN 192.5-B

| Code | Description | d1 | d2 | d3 | k1 | k2 | l1 | l2 | m | ⚖ |
|----------|----------------------|----|----|-----|----|----|-------|------|-----|-----|
| GN.52792 | GN 192.5-B30-B30-B-4 | 30 | 30 | M8 | 37 | 42 | 96 | 35 | 60 | 320 |
| GN.52796 | GN 192.5-B50-B50-B-4 | 50 | 50 | M10 | 65 | 75 | 151.5 | 48.5 | 103 | 350 |



Connecting clamps